



# Comverge PowerPortal

In-Home Display (IHD)



## Key Features

- ZigBee Compatible
- AMI Ready
- Wireless Electricity Data Transfer
- Works with Time of Use and Critical Peak Pricing
- Rechargeable Battery
- Ultra portable at just under 5 oz and 1 inch thin
- Easy to read LCD display
- Displays current and accumulated electricity usage in \$ or kWh
- Shows text messages or alerts from the service provider
- Digital certificate authentication

## Communication Features

- Uniquely addressable by SMI network
- 2 second data update frequency
- Digital certificate authentication to ensure information security and device interoperability

## Comverge PowerPortal Features

### Easy to use and Portable, too.

The PowerPortal® is an easy to use, AMI ready display that allows consumers to closely track their electricity consumption and receive messages or alerts from their utility provider. The LCD display shows messages that are clear and intuitive, making it easy for consumers to manage their energy usage and costs in real-time and wireless communication allows for use anywhere in the home. The PowerPortal has a magnetic backing, a base and a rechargeable battery, so it can be placed on a table, countertop, or it can even be placed on a refrigerator as a magnet. The PowerPortal is truly portable.

### Wireless Real-Time Data

The PowerPortal is designed to help the utilities industry meet the need for increased communication with its customer base. The PowerPortal receives real-time electricity consumption data wirelessly from a residential smart meter using the ZigBee® Smart Energy Profile. The PowerPortal allows utilities to maximize AMI technology and take advantage of the energy conservation and load shifting benefits of Time of Use and Critical Peak Pricing billing structures.

### Designed for ZigBee

The PowerPortal utilizes the ZigBee Smart Energy Profile, which means it is compatible with all other products using the same profile for hassle-free integration.

- Continued on reverse side

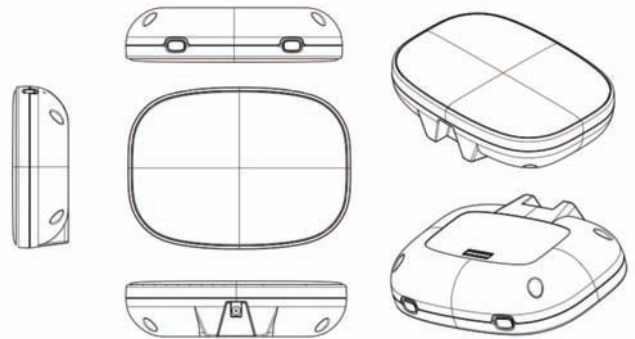
**The PowerPortal in-home display is designed to help the utilities industry meet the need for increased communication with its customer base.**





# Comverge PowerPortal

In-Home Display (IHD)



## Comverge PowerPortal Features (continued)

### Electrical

- Rechargeable battery provides up to 3 weeks of use in billing structures that require operating LEDs or
- 2 months of use in billing structures that don't require operating LEDs.
- Recharging Time: 8 hours (AC Adapter included)

### Operating Environment

- Operating Temperature: 32° to 122° F (0° to 50° C) at <85% relative humidity

### The Power of Simplicity

The PowerPortal is an easy-to-use, smart-meter-compatible, in-home display that allows consumers to closely track electricity consumption and provides utilities with a means to send messages or alerts.

- Display screens are simple and easy to understand
- Wireless communication, magnetic backing, and integrated base allow for use anywhere in the home
- 3-color LEDs indicate pricing intervals and upcoming pricing changes or CPP events
- Display provides information via 128 X 64 graphic LCD screen.

## Technical Specifications

- Width: 4.48 inches / 114mm
- Height: 3.11 inches / 79mm
- Depth: .94 inches / 24mm
- Weight: 4.3 ounces / 134 grams
- RoHS compliant
- Screen Type: FSTN Positive
- LED Indicator Colors: Green/Amber/Red

Product designed for ZigBee by  
Energy Aware Technology Inc.

Specifications subject to change without notice



### Corporate Offices

#### New Jersey

120 Eagle Rock Avenue, Suite 190  
East Hanover, NJ 07936

#### Georgia

3950 Shackleford Road, Suite 400  
Duluth, GA 30096

#### Pennsylvania

511 Schoolhouse Road, Suite 200  
Kennett Square, PA 19348

©2008 Comverge, Inc.



Green-Energy  
Certified



Manufactured  
with Windpower



Recycled Paper